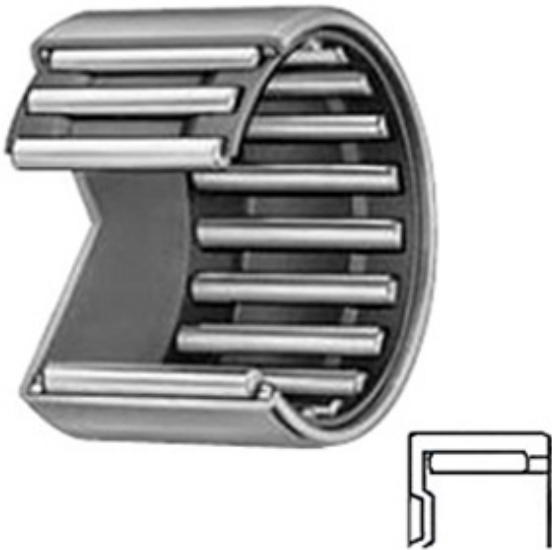




SUDA BEARING LTD



BAM3424 Bearing 2D drawings and 3D CAD models

2.125 Inch | 53.975 Millimeter x 2.5 Inch | 63.5 Millimeter x 1.5 Inch | 38.1 Millimeter IKO
BAM3424 Needle Non Thrust Roller Bearings

Bearing No. BAM3424

Category	Needle Non Thrust Roller Bearings
Inventory	0.0
Manufacturer Name	IKO
Minimum Buy Quantity	N/A
Weight	0.18
EAN	4549557003080
Product Group	B04144
Rolling Element	Needle Roller Bearing
Component	Roller Assembly with Outer Ring - No Inner Ring
Enclosure	Open
Self Aligning	No
Retainer	Yes
Number of Rows of Rollers	Single Row
Separable	No
Closed End	Yes
Inch - Metric	Inch
Relubricatable	No
Thrust Bearing	No
Long Description	2-1/8" Bore; 2-1/2" Outside Diameter; 1-1/2" Width; Needle Roller Bearing; Roller Assembly with Outer Ring - No Inner Ring; Open Enclosure; No Self Aligning; Yes Retainer; Single Row of



SUDA BEARING LTD

Other Features	1 Rib Outer Ring Drawn Cup Bearing
Category	Needle Non Thrust Roller Bearing
UNSPSC	31171512
Harmonized Tariff Code	8482.40.00.00
Noun	Bearing
Keyword String	Needle
Manufacturer URL	http://www.ikont.com
Manufacturer Item Number	BAM3424
Weight / LBS	0.397
d	2.125 Inch 53.975 Millimeter
D	2.5 Inch 63.5 Millimeter
B	1.5 Inch 38.1 Millimeter